

WALLBEDS[®]
 **Australia**

Reclaim Your Space

Assembly Instructions
Alpha WallBed
Studio Desk

studioTM

**** LIFETIME WARRANTY ****

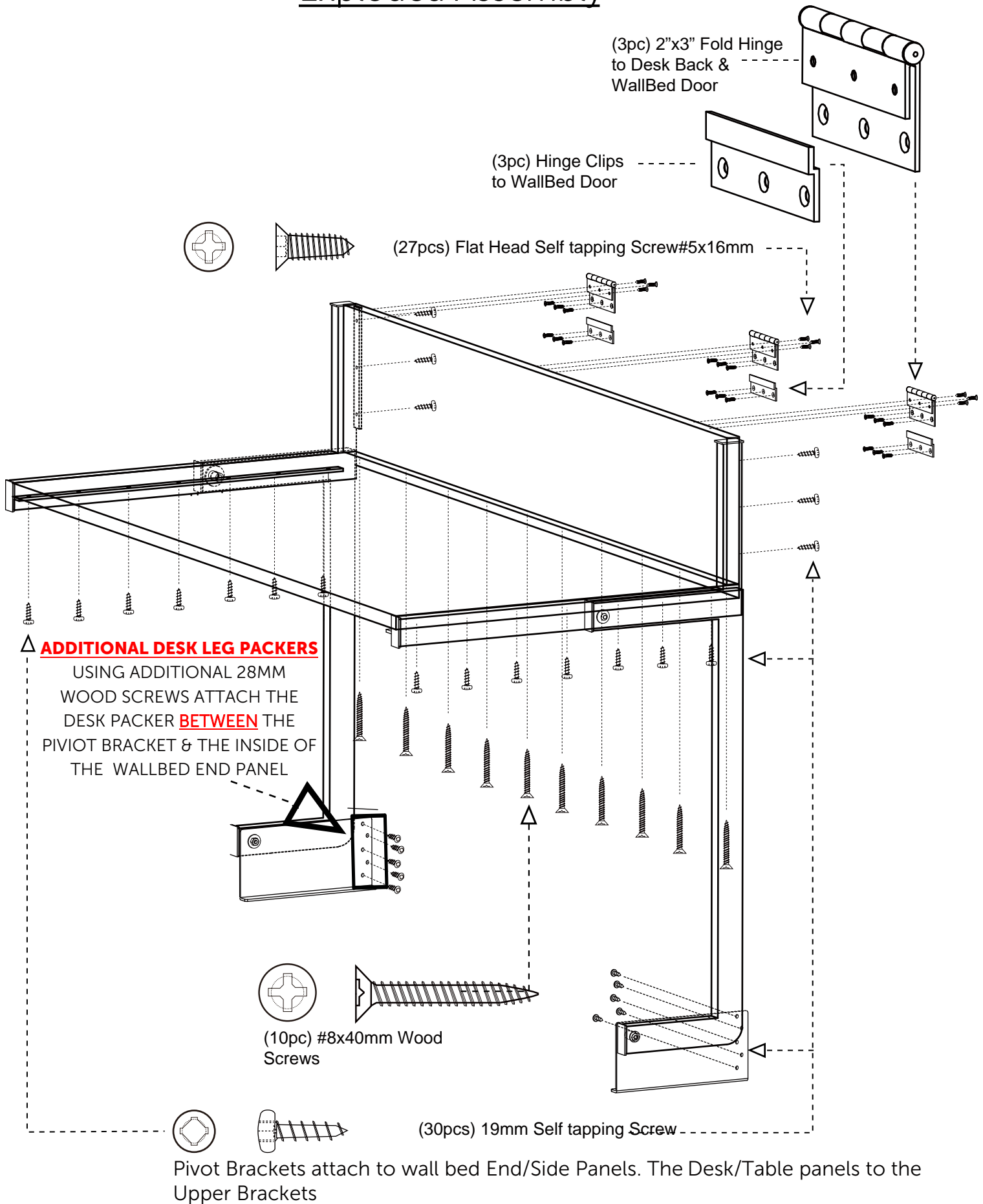
Designed to Exceed International ISO 9002
Standards for Residential Specifications
- Patent Pending -

Issue:041414

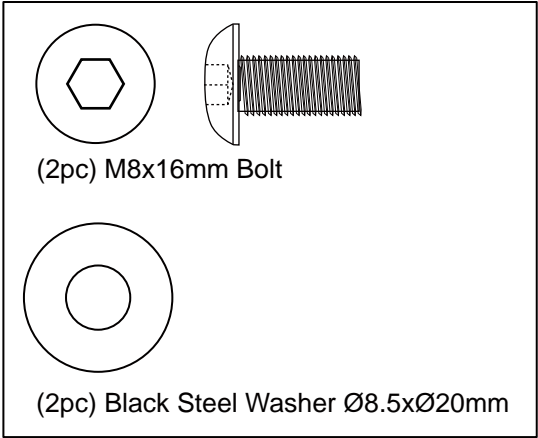


Let's build a Wallbed together!

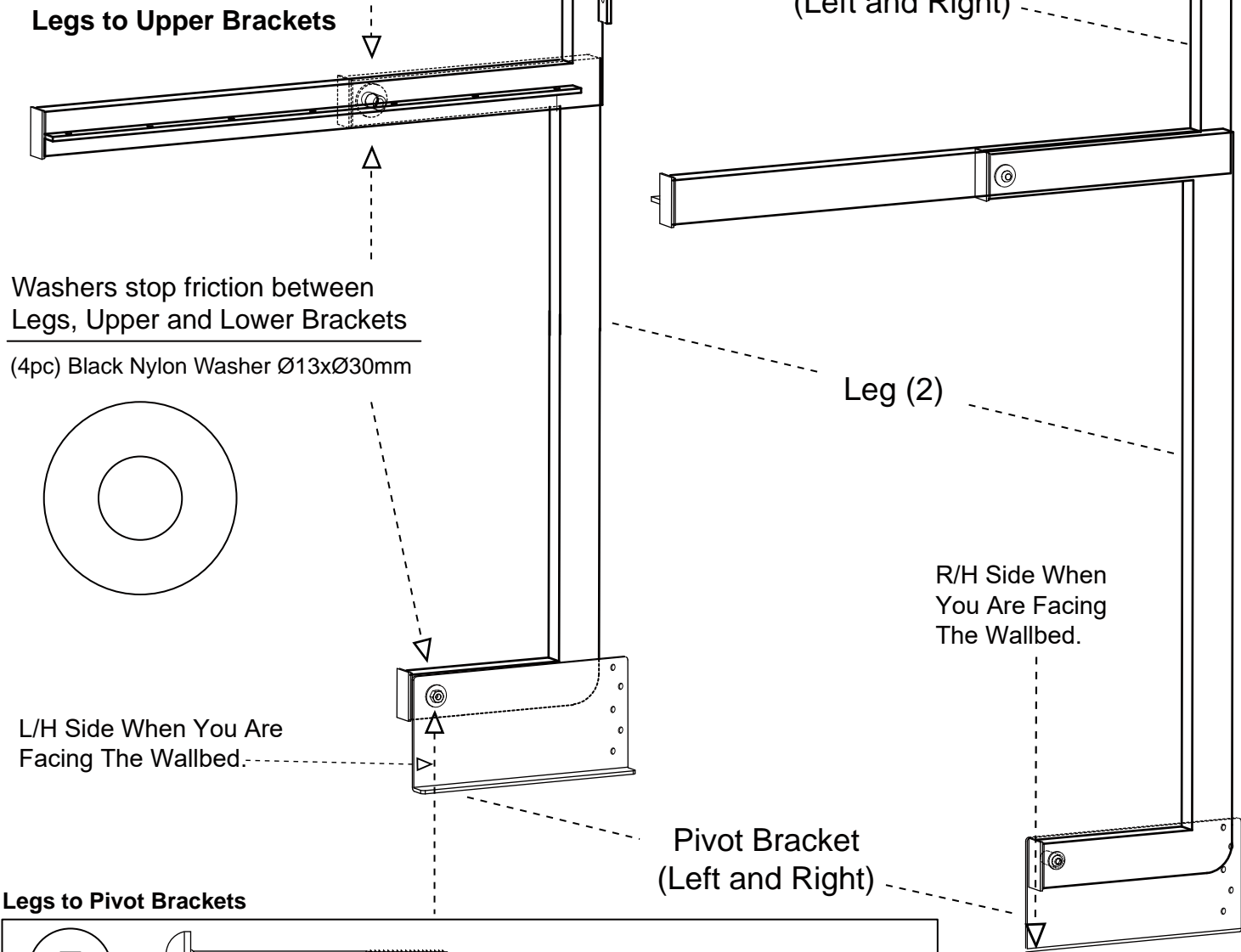
Exploded Assembly



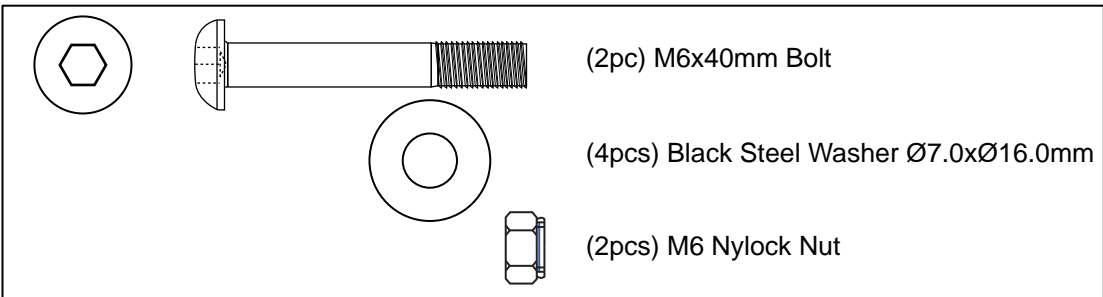
Studio Desk Hardware



Legs to Upper Brackets



Legs to Pivot Brackets



Alpha Studio Desk Cut List - Maximum material thickness is 18mm				
	Desk Top		Back	
Single	1/1020x560	2L	1/1020x216	2L
Double	1/1399x560	2L	1/1399x216	2L
Queen	1/1552x560	2L	1/1552x216	2L
King	1/1960x560	2L	1/1960x216	2L

Important: The width of the Desk Cutting measurements allow for **2 x 100(h) x 25(w) x 16mm Desk Leg Packers**. These are required to square up the Desk Legs (2) with the WallBed End Panels.

Important: If the wall bed is slightly too heavy too open and close without the Studio Desk mounted you should add one Spring to the right and to the left to assist in balance. An odd number of Springs right and left may be used to get balance.

Familiarise yourself with all of the components in the Studio Desk mechanism cartons, as well as thoroughly study this manual so you may plan the steps required to complete this project. Study all illustrations and plan drawings.

Steps to Complete the Project

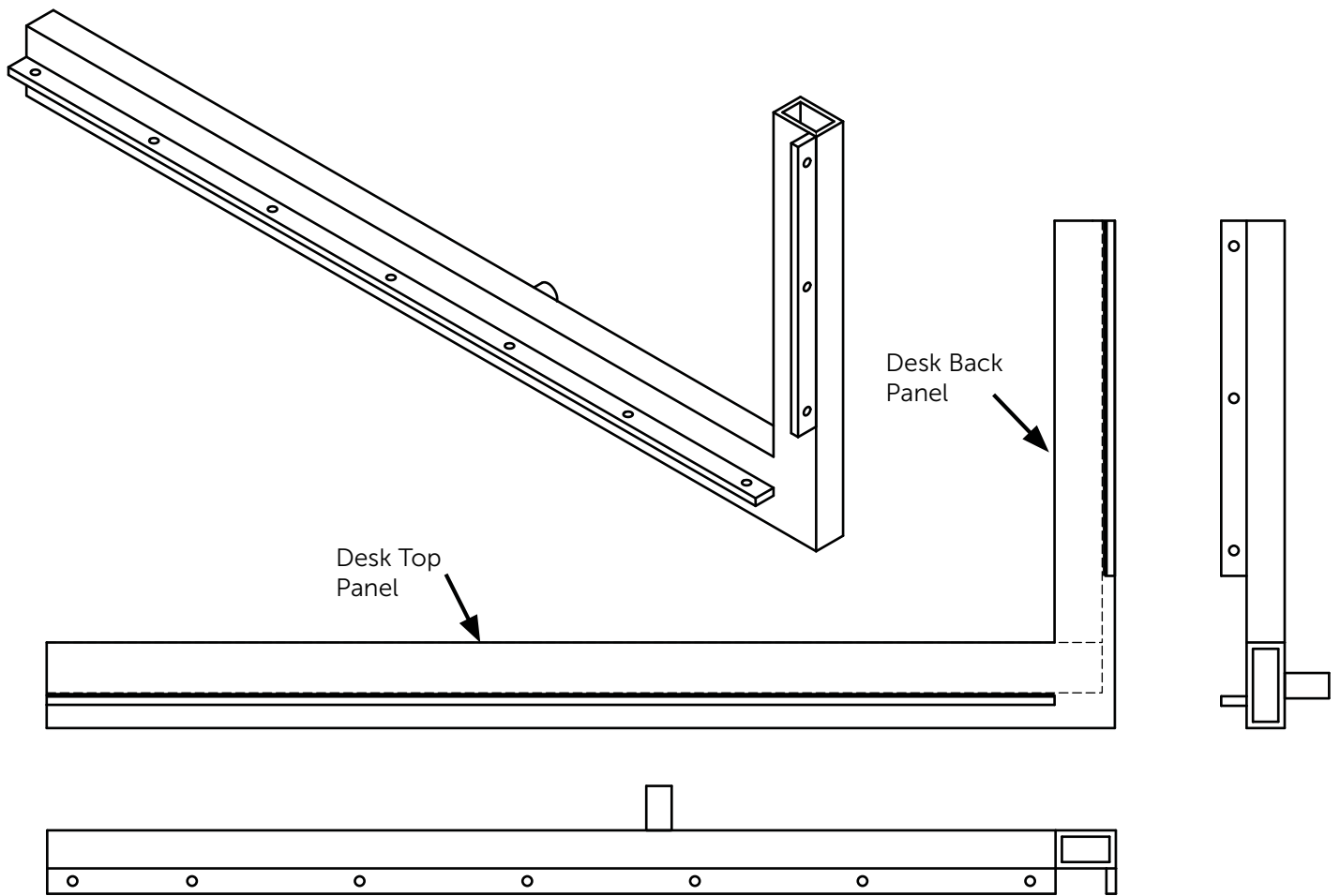
STEP 1: Assemble Desk Top and Back to Upper Desk Brackets.

- Assemble the Desk Top and Desk Back to the Upper Brackets as shown in Drawing #1.
- Using the 19mm wood screws attach the Desk Top panel to the Left and Right Upper Brackets.
- Using the 19mm wood screws attach the Desk Back panel to the Upper Bracket.
- Align the Back Panel with the back edge of the Top panel.
- Attach the Desk Back Panel to the back bracket, then screw the Desk and Back together from the underside with the #8x40mm Screws provided.

Fitting Desk Packers

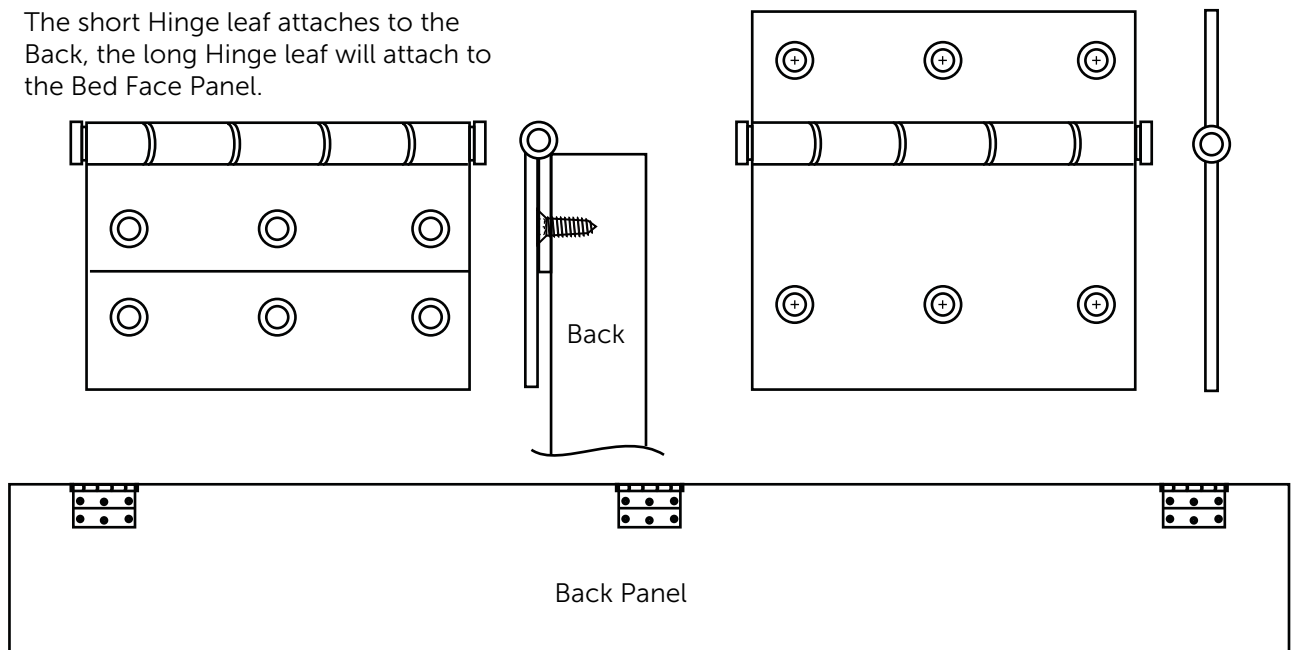
- Place the Desk Packer on the inside of the wall bed End Panel. Place the leg and pivot bracket over the Desk Packer.
- Move the leg in a lowering and rising motion. Ensuring the leg does not strike on the wall bed End Panel when lowering & raising.
- Mark the locations of the fixing holes for the 19mm Self tapping Screw Pivot Bracket screws onto the Desk Packer. Repeat for the opposite side. Tip: *Use your drill with a 5mm drill bit to lightly mark the locations on the desk packer.*
- Select two locations on the Desk Packer where the pivot bracket attachment screws are not located. Pre-drill the 5mm countersunk holes for the 28mm Desk Packer attaching wood screws.
- Attach the Desk Packers to the wall bed End Panels. Ensuring the head of the wood screw is flush or lower than the surface of the Desk Packer. *Once fully assembled these leg packers will square up the studio desk legs with the cabinetry.*

Drawing #1: Upper Desk Top and Back Panel Bracket



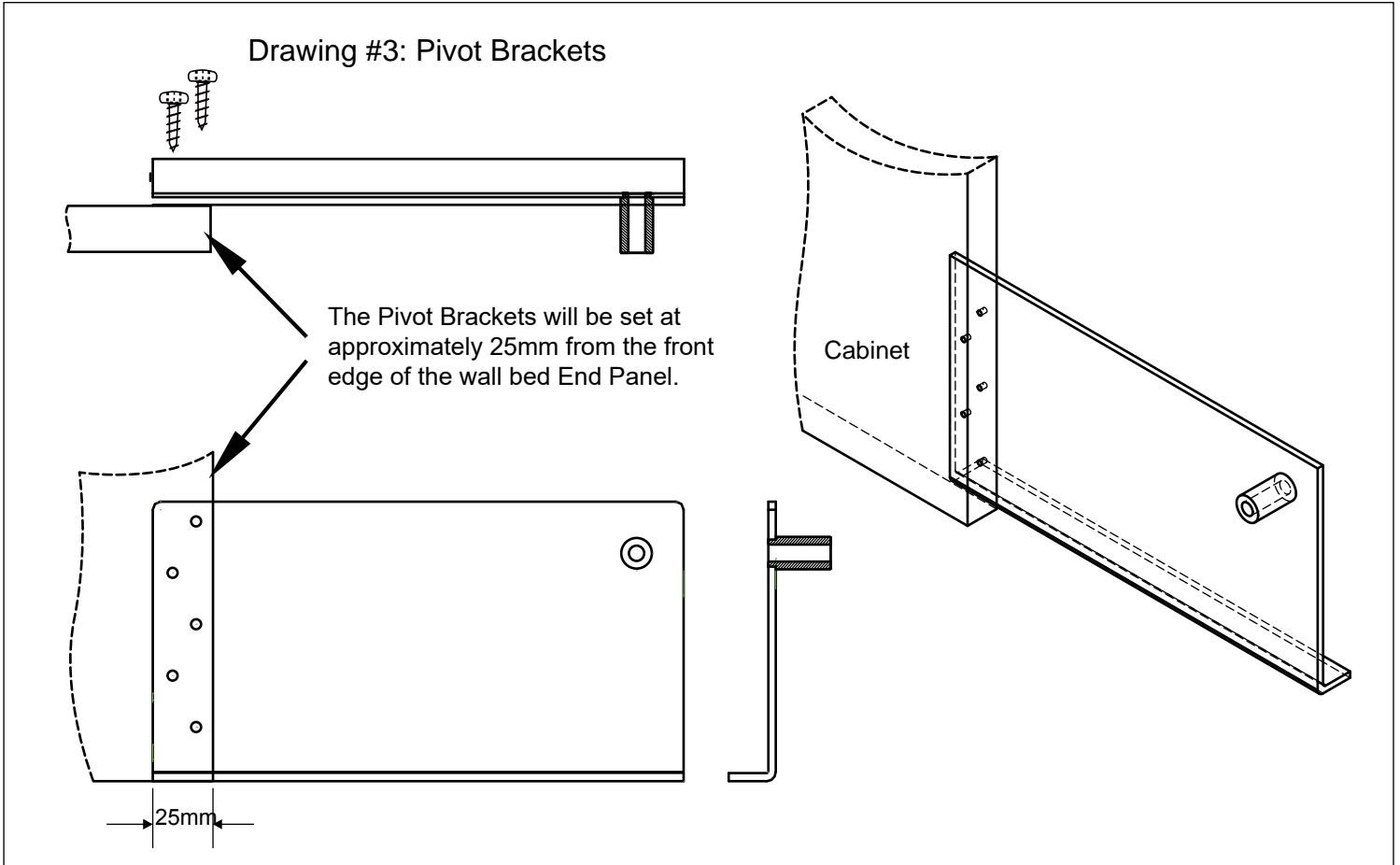
Drawing #2: Hinges to Desk Back Panel

The short Hinge leaf attaches to the Back, the long Hinge leaf will attach to the Bed Face Panel.



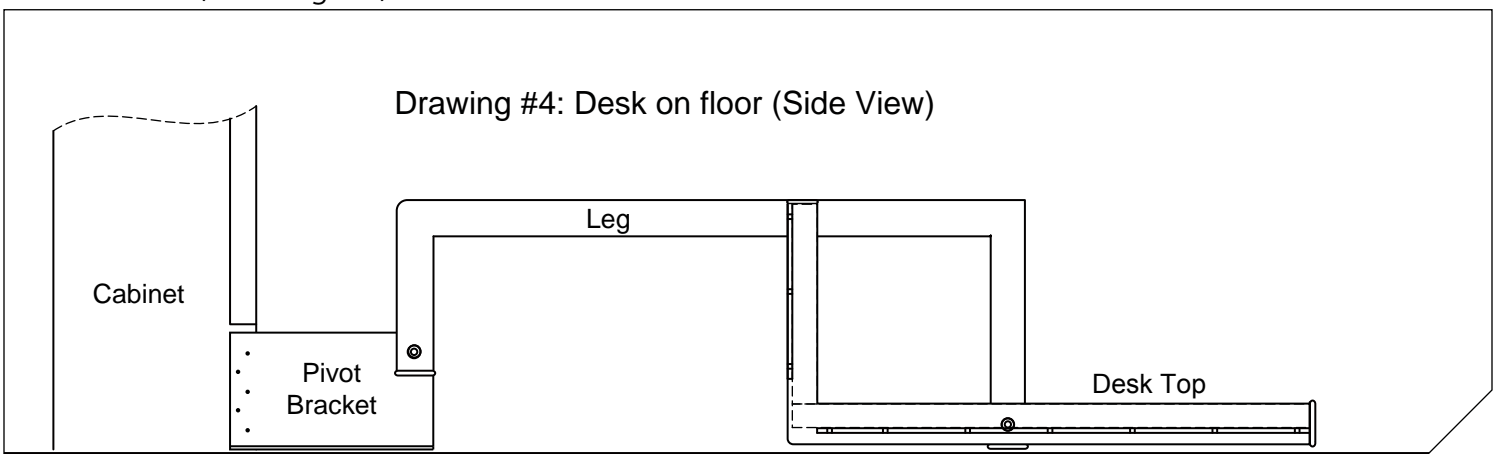
STEP 2: Install Pivot Brackets

1. Install the left and right Pivot Brackets to the previously attached Desk Packers on the inside of the wall bed end panel, ensure the curved bottom edge of the Pivot Bracket is facing the inside of the wall bed. See Drawing #3. The pivot point (standoff) must face outward to allow the Leg to line up with the vertical edge of the Panel.



STEP 3: Attach Desk Top to Desk Legs

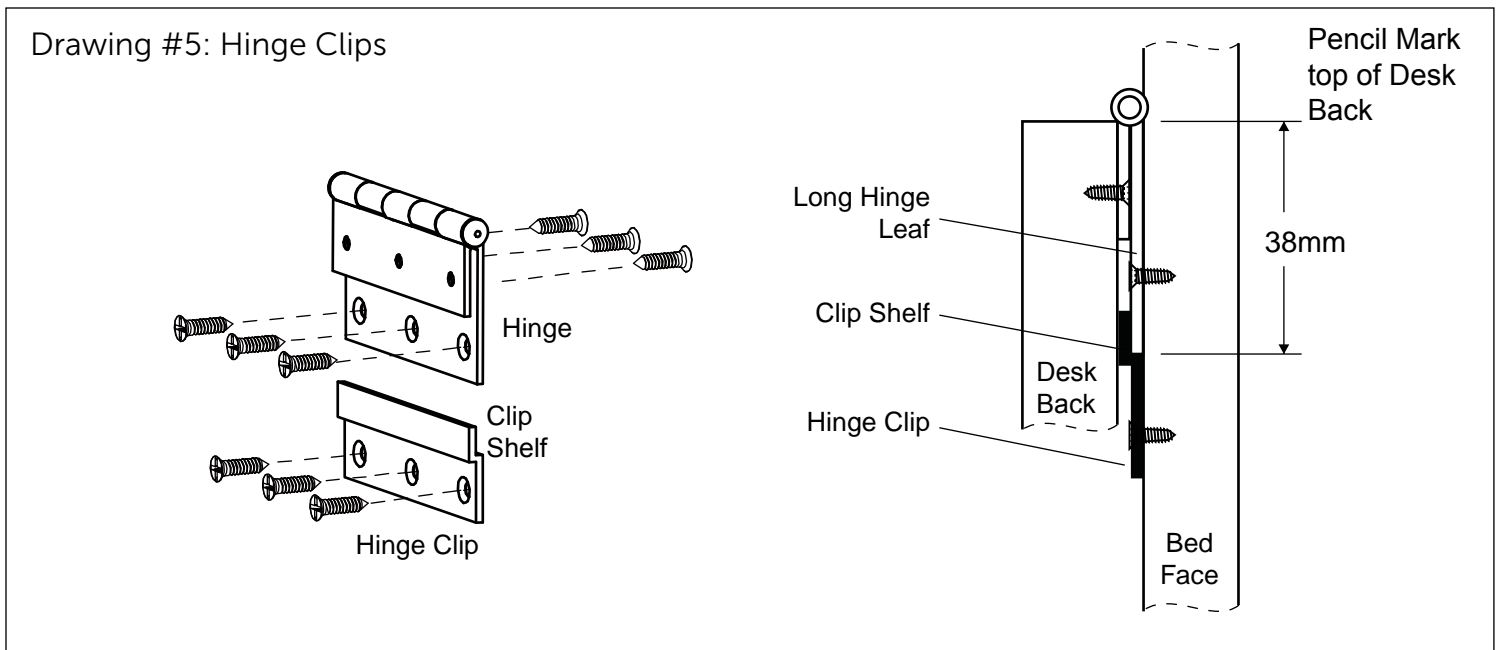
1. Place the previously assembled Desk on the floor where it will be located when it is in use.
2. Hand tighten the Bolts as the Legs needs to be detached later to mount the Desk to the Bed Face. (Drawing #4).



STEP 4: Attaching the Desk to Wallbed Face Panel

This step may require two people to complete

- Raise the Desk and hold it in the UP position (where it will be when mounted to the Bed Face).
- Hold the Desk against the Bed Face, making sure that the Desk is level both front to back and end to end.
- Using a pencil, lightly mark the 3 Hinge locations and the height of the top of the Desk Back Panel onto the Bed Face Panel.
- Lower the Desk to the floor and detach the Legs from the Pivot Brackets.
- At the hinge locations measure 38mm down from the pencil mark of the top edge of the Desk Back. Check the measurement line between all three clip locations to ensure that the Desk will be level. Secure all three Hinge Clips. See Drawing #5.
- Bring the Studio Desk back up to the Bed Face and flip the Desk up to allow access the screw holes and the long hinge leaf to be placed into the Hinge Clips. Screw the long leaves of the Hinges to the Bed Face.
- Re-attach the Legs to the Pivot Brackets and re-check levels in all directions.
- It is not necessary to remove Hinge Clips as they are out of sight after the installation.



STEP 5: Test

1. Open WallBed to operate the Desk slowly.
2. Double check the levels.
3. Make sure that all End Caps are installed.